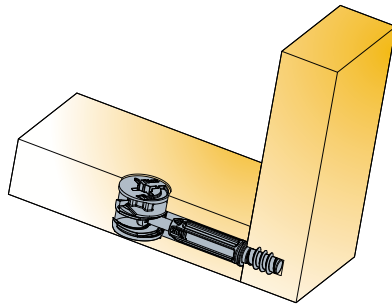


# System 5

## Cams and Dowels

### Combi-P Dowel

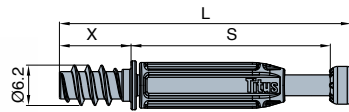
- High performance joint even in low density chipboard
- Full body assures stability in dowel hole
- High resistance to torsion and pull-out
- Accurate insertion with positive stop



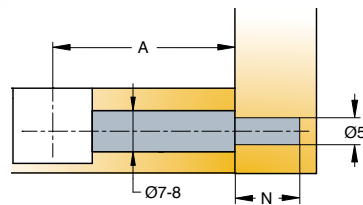
Technical and mounting details

Combi-P Dowel

PH2 head



PZ2 head



A	N	X	L	S	Item number	Grey
Drilling distance	Drilling depth	Thread length	Total Length	Length		
34	12	11	44.8	30.6	<b>05072</b> →	383
24	12	11	34.8	20.6	<b>05073</b> →	383
24	9	8.5	32.3	20.6	<b>05087</b> →	383
34	12	11	44.8	30.6	<b>05078</b> →	383
24	12	11	34.8	20.6	<b>05079</b> →	383

1000 Pcs

Made of zinc and plastic