

Titus+



Noir

The Dark Finish for Discreet Elegance
of Cabinet Hardware

Discreet, elegant and versatile.



An elegant dark finish engineered to complement any cabinet design

Noir is an elegant dark finish designed to meet the growing demand for black and dark cabinet hardware. More than just a colour option, Noir offers a visually appealing solution that integrates effortlessly with a wide range of cabinet colours and surface textures.

Why choose Noir?

Noir discreetly enhances your furniture's design, blending seamlessly into both contemporary and traditional settings while allowing cabinets to take centre stage. This versatile dark finish complements various environments -whether kitchens, bedrooms, offices, or bathrooms - creating a cohesive look that balances style and functionality without drawing attention away from your cabinetry.



One-for-All



**Reliable hinge-to-door
attachment**



3Way snap-on



Strong and highly tolerant



T-type Noir hinges

Where function meets elegance

T-type Noir hinges are the perfect combination of design and reliable functionality. Finished in our elegant Noir, they can blend into any cabinet design, providing a discreet yet stylish solution for modern and traditional settings alike.

Confident and reliable

T-type Noir hinges offer both ease of use and refined performance. With **ConfidentClose** – a smooth, soft-closing feature – and **3Way snap-on** mounting, these hinges ensure quick and secure assembly. They're compatible with a wide range of door thicknesses, making them a versatile and reliable choice for all cabinet types.

The fastest hinge on the market – now even faster

For even faster installation, the **T-type PressTo** hinge includes a toolless hinge cup fixing system, with an audible click to confirm secure attachment. This efficient mechanism speeds installation without compromising on the benefits of the T-type.



T-type PressTo



T-type Noir range

Specialised solutions for complex applications

The T-type Noir range extends beyond standard hinges to meet the needs of more complex cabinet designs, offering greater flexibility and versatility.

Wide-angle hinges

Our Noir range includes the **T-type-i 170**, a wide-angle hinge designed for cabinets with internal drawer systems. It provides greater access with its wider opening angle and integrated soft-closing technology. The zero protrusion feature ensures smooth and unobstructed operation of internal drawers.

Hinges for corner cabinets

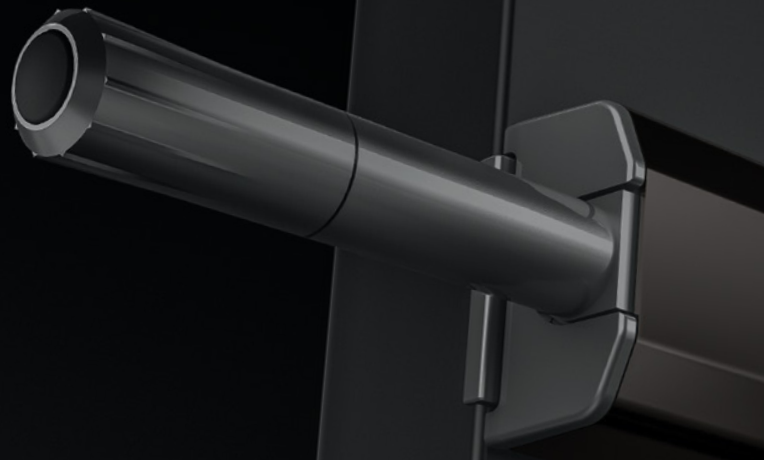
The T-type Pie-Cut Noir hinge is specifically designed for corner cabinet application, allowing smooth, coordinated door movement while maximising space efficiency and preventing interference with adjacent cabinets.



T-type-i 170



T-type Pie-Cut corner



Push Latch S2 Noir

Reliable performance for
handleless furniture

Smooth performance

The Push Latch S2 Noir is engineered to provide a clean, minimalist look in dark handleless furniture. Paired with Noir hinges, it ensures a smooth and quiet push-to-open mechanism, adding functionality without compromising design.

Intuitive mounting

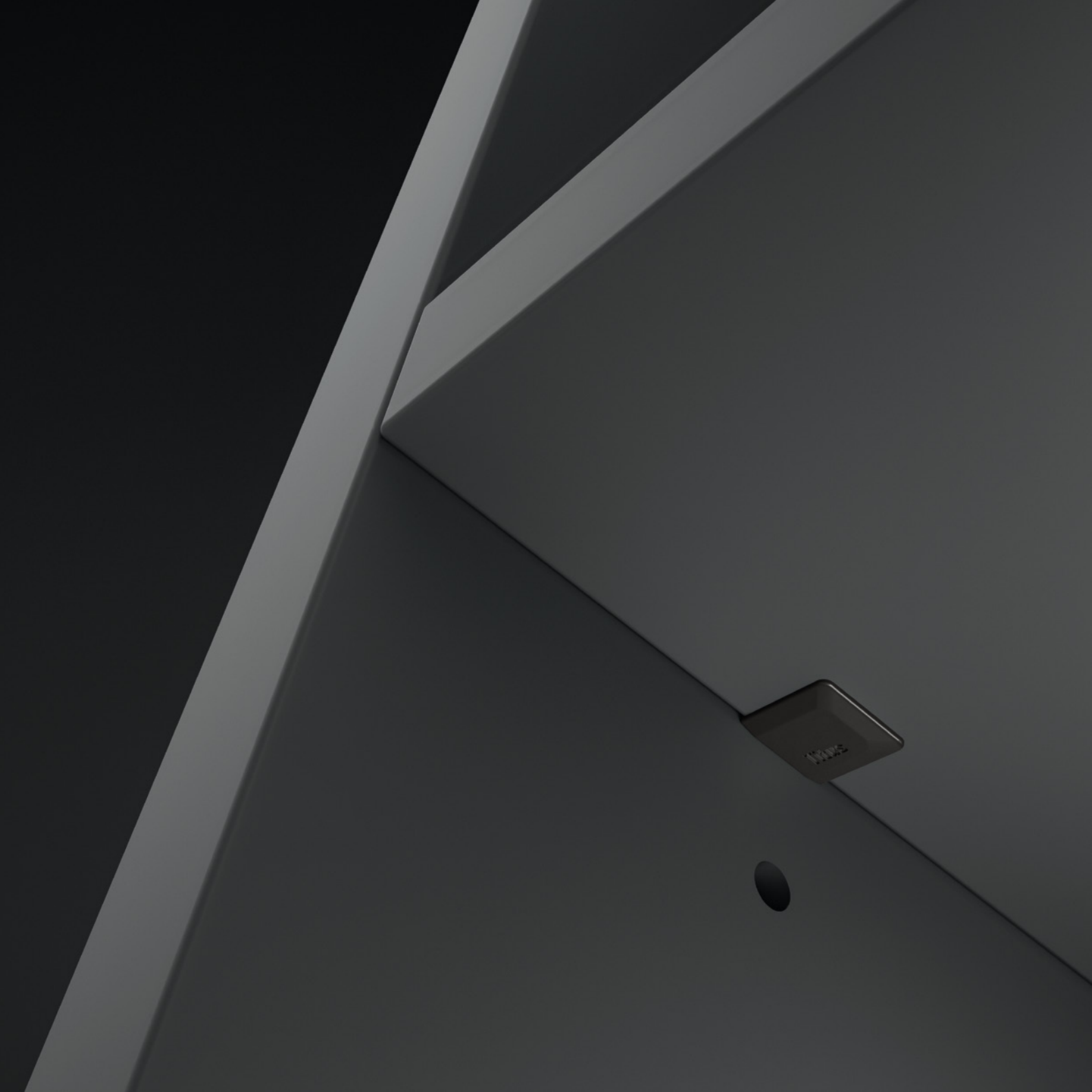
Designed with installation in mind, the Push Latch S2 features a positioning lip for precise placement and an integrated depth adjustment button for accurate door-to-side panel gap alignment. This ensures consistent performance and simplifies installation. The safety detachment feature allows for quick reattachment if accidentally triggered.

Soft opening

Equipped with **Titus Damper Inside**, the Push Latch S2 Noir offers soft, silent, and bounceless opening, improving ease of use and enhancing the practicality of handleless furniture.



Push Latch S2



A complete cabinet hardware solution in Noir

The Noir finish extends across a wide variety of Titus hardware, including T-type hinges, push latches, shelf supports, such as the new Shelf Q-Peg, as well as joining plates, mounting plates, and cover caps. This comprehensive range allows you to outfit your entire furniture line with hardware that delivers consistent performance and a cohesive, sophisticated look.

With Titus Noir, you can ensure both reliability and an elegant design that enhances the visual appeal of your cabinetry, maintaining uniformity across all projects.



System 6 – 2nd Generation cover cap



Shelf Q-Peg



Joining plates

Concealed hinges for cabinets



Shelf Supports



Push latches for
handleless cabinets

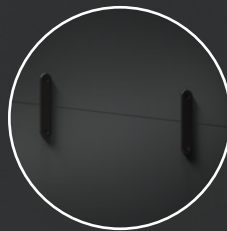




Cabinet connector
cover caps



Joining plates



Wide-angle hinges for cabinets
with internal drawer application



Engineered for Purpose

Titus is committed to providing its customers with products and services that improve their competitiveness, while reducing manufacturing and assembly costs.

Titus+

Titus Group / titusplus.com

