



Slidix Damping Systems

Important Information

Technical information

Our catalog strives for information accuracy, but as our products are continually updated, we recommend verifying the latest specifications before placing an order. We retain the right to make unannounced changes due to ongoing product improvements.

User responsibility

Users are responsible for ensuring that our hardware suits their intended purpose. We suggest conducting appropriate tests and reaching out to our technical representatives for assessment.

Intellectual property

Titus Group possesses global intellectual property rights, including trademarks, patents, copyrights, designs, illustrations, drawings, and the proprietary knowledge embedded in our products' design and production. We also respect competitors' rights and other relevant product design rights. Our products are not known to infringe upon any intellectual property rights, but we take infringements seriously and will vigorously defend our rights within the bounds of the law.

Non-preferred articles

Items marked with * in the catalog are non-preferred and may have extended delivery times.

Trademarks

Titus and Titusonic are registered trademarks of Titus International Ltd. Lama is a registered trademark of Titus d.o.o. Dekani. WoodWelding is a registered trademark of WW SA.

Contents

1

2

3

Slidix Sliding Door Damping

- Solutions for Architectural Doors
- Solutions for Pocket Doors
- Solutions for Shower Doors
- Solutions for Wardrobes

1.1

Titusoft Drawer Damping

- Titusoft WD
- Titusoft MD
- Titusoft FF

2.1

The Titus Group Profile

3.1

Slidix Sliding Door Damping



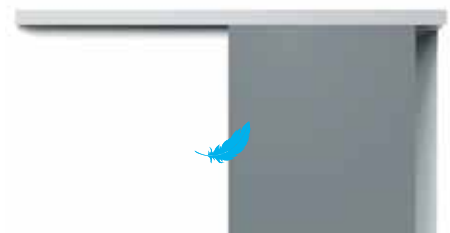
Consistent performance on doors up to 120 kg

- Consistent and reliable damping at any closing speed
- The door will close even at minimum speed



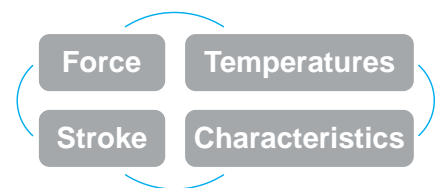
Comfortable door opening

- Low pull-open force
- Effortless opening



Fully controllable damping curve

- Ability to fine tune performance to specific applications
- Precise definition of forces over the whole damping action



Titus Damper Inside

- Smooth and even soft closing action on various door dimensions and weights
- Silent closing without a rebound
- Consistent performance in hot/cold environment

Push-to open compatibility

- Integrated soft-close and push-open functions
- For fully concealed interior pocket doors
- Door release with a slight push
- Modular design for fast fine-tuning to any application

Quick development of custom solutions

- Slidix can be easily customised to meet specific customer requirements for weight, friction and speed
- Its compact design can accommodate dampers of various forces and strokes
- It reliably performs in temperature as low as -30°C

Slidix

Sliding Door Damping

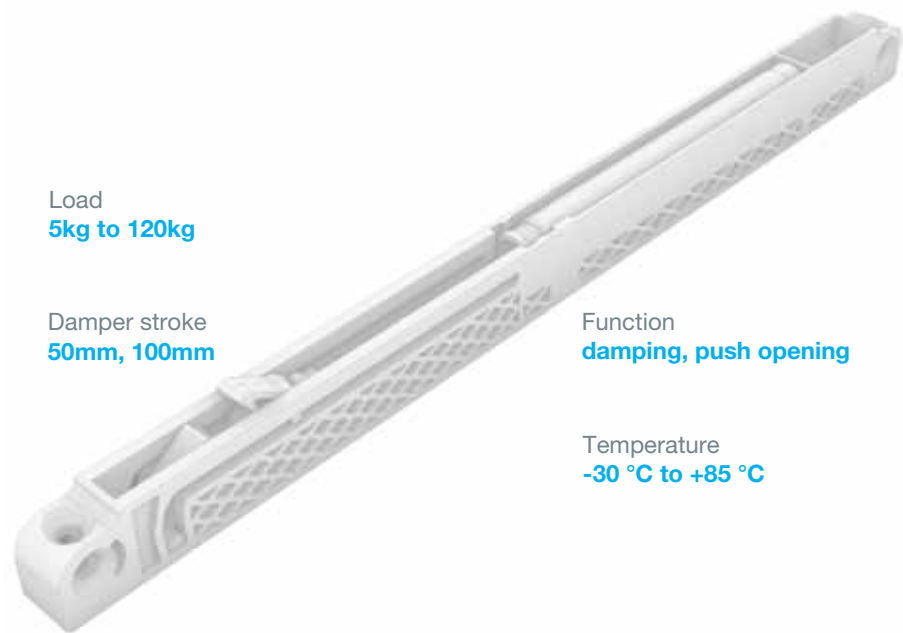
Introduction

Overview

Slidix scope

A comprehensive range of damping solutions for exterior and interior sliding doors, operating effectively in temperatures from -30°C to +85°C, featuring hydraulic Titus dampers that decelerate objects

weighing up to 120 kg. Titus dampers' fully controllable damping curve enables fine-tuning performance to multiple applications.



Load
5kg to 120kg

Damper stroke
50mm, 100mm

Function
damping, push opening

Temperature
-30 °C to +85 °C

Key design choices

Titus damper Inside

- Smooth and confident closing
- No rebound
- Comfortable opening
- Fully controllable damping

Adaptive Response Technology - ART fine-tunes the damper's performance and damping force by responding to the door's weight and speed and delivers smooth damping performance at any closing speed. It enables the use of a single ART damper across a wide range of door weights while maintaining a low door opening force.

Push opening function

Push opening and damping function, now connected in a single mechanism to ensure effortless and comfortable opening and reliable closing of interior pocket sliding doors.

The compact design integrates soft-close and push-to-open functions in a single unit offering versatile solutions, suitable for application like pantry units and sliding systems where handles aren't possible or required for aesthetic reasons.

Efficient modular design

The design follows a modular approach, enabling easy customisation and fine-tuning to meet specific customer application requirements with minor modifications and combination of standard components.

Areas of Application

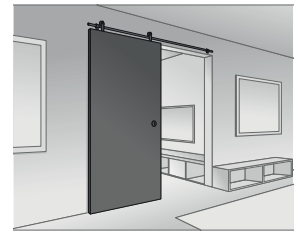
Architectural doors



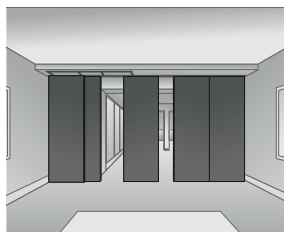
Interior sliding doors



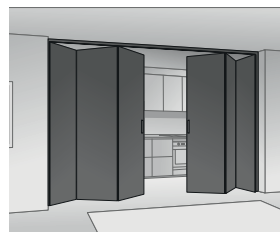
Exterior patio doors



Barn doors

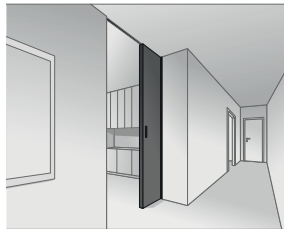


Wall partitions



Folding doors

Pocket doors



Single and double pocket doors



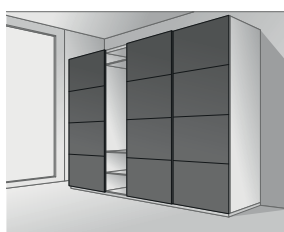
Slide & hide pocket doors

Bathroom



Shower screens

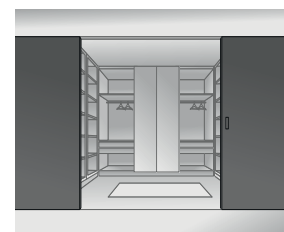
Cabinet furniture



Middle door in 3-door wardrobes



Side wardrobe doors



Walk-in closets

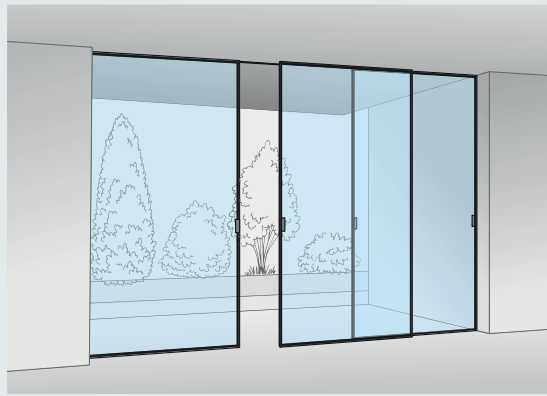
Solutions for Architectural Doors

Product Guide

Interior sliding doors

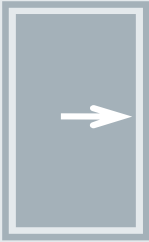
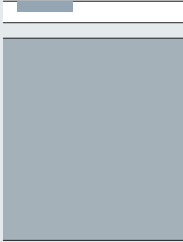
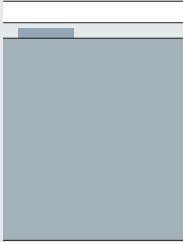
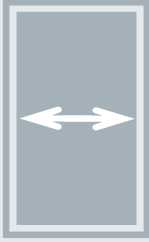
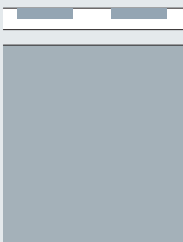
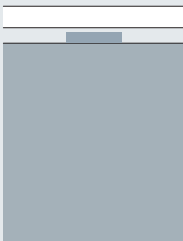


Exterior patio doors

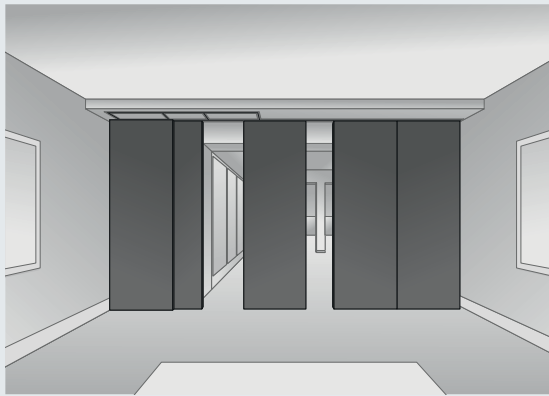
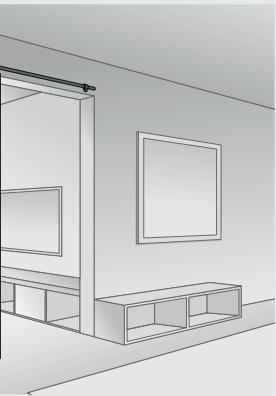


Barn doors

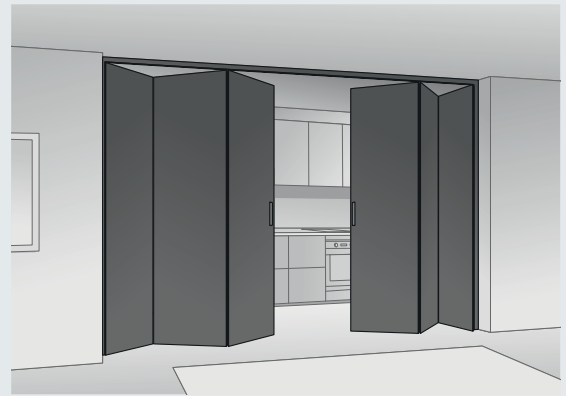


Damping direction and positioning			Function	Technical specification	
Direction	Position			Load capacity (kg)	Damping stroke (mm)
one direction 	in rail 	on door 	damping	up to 80 kg	50 mm
				up to 120 kg	100 mm
two directions 	in rail 		damping	up to 80 kg	50 mm
				up to 120 kg	100 mm
		on door 	damping	up to 80 kg	50 mm
				up to 120 kg	100 mm

Wall partitions



Folding doors



	Product name	Page
<p>*Minimum space required per piece (in mm)</p>	1 piece	Slidix Solo 50 1.7
	1 piece	Slidix Solo 100 1.8
	2 pieces	Slidix Solo 50 1.7
	2 pieces	Slidix Solo 100 1.8
	1 piece	Slidix Duo 50 1.9
	1 piece	Slidix Duo 100 1.10

*the indicated required space doesn't include space needed for carriages or other hardware

Slidix Solo 50



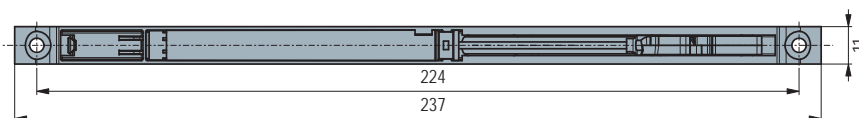
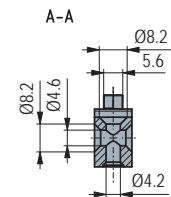
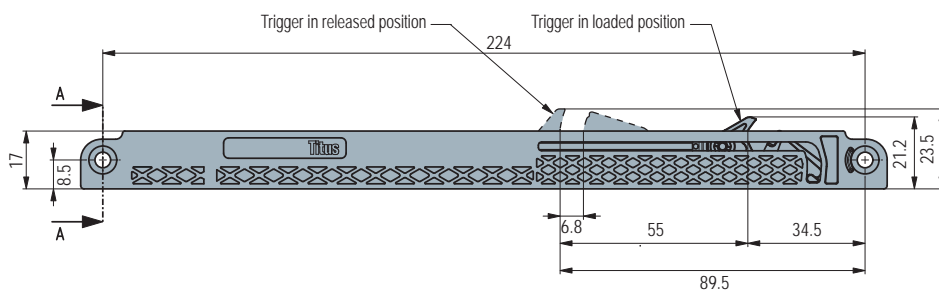
- Smooth and reliable soft-closing
- Titus hydraulic damper ensures consistent performance
- Compact design



Technical details (mm)

Load capacity (kg)	Damping force at w=1000mm/min (N)	Spring force (N)	Item number
15	4.2	7.5	975-9421-380
25	7.5	7.5	975-9457-380
40	10	10	975-9459-380
60	15	13	975-9461-380
80	17.5	13	975-9462-380

Slidix Solo 50



100 Pcs

Made of plastic

Activators Activator TX26

Activator SP14



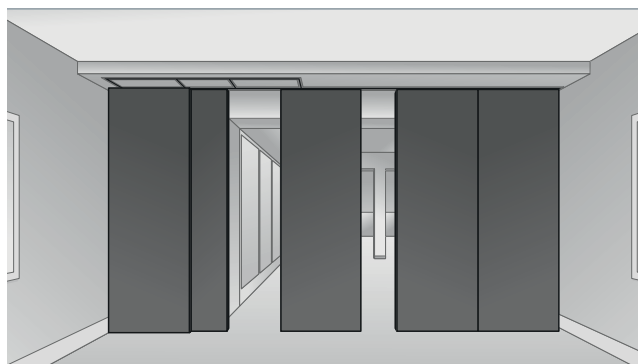
Slidix activators
> see page 1.30

A trial mounting is always recommended.
For further information please contact your
Titus Group representative.

Slidix Solo 100



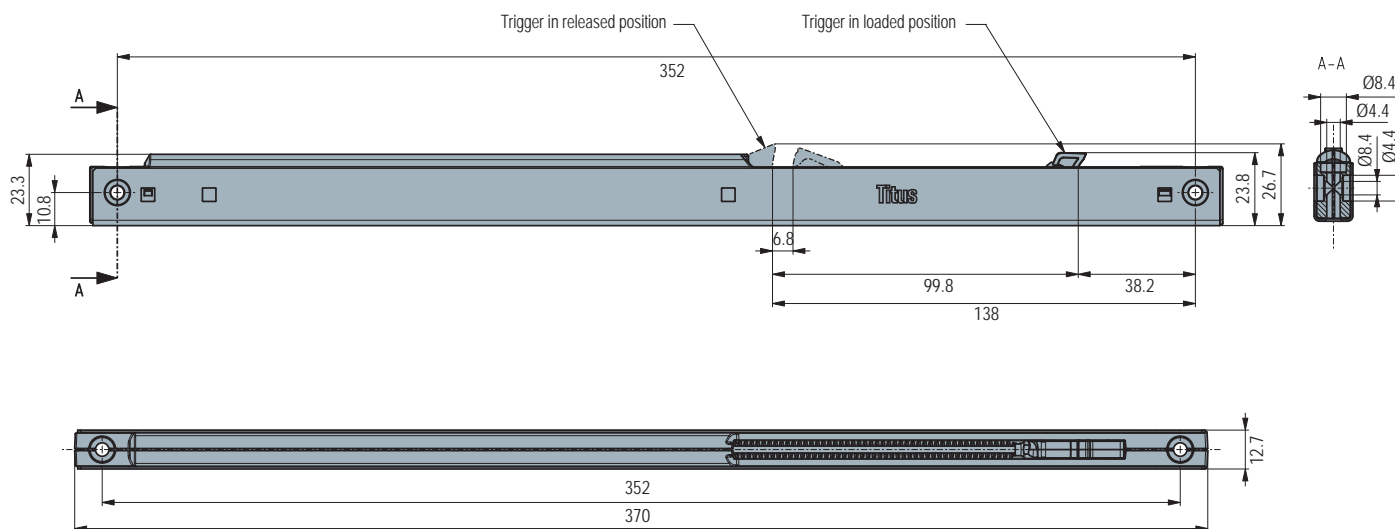
- Consistent and reliable soft-closing of heavy sliding doors
- Reinforced with a metal housing for secure performance
- Titus hydraulic damper ensures consistent performance



Slidix Solo 100

Technical details (mm)

Load capacity (kg)	Damping force at w=1000mm/min (N)	Spring force (N)	Item number
25	7.5	10	976-9208-040
40	10	10	976-9267-040
60	15	13	976-9275-040
80	17.5	13	976-9269-040
100	20	17	976-9277-040
120	22.5	17	976-9278-040



 100 Pcs Made of plastic, cover made of steel

Activators Activator TX26 Activator SP14



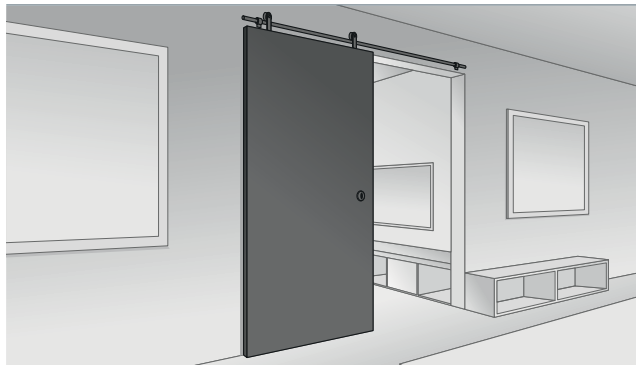
Slidix activators
> see page 1.30

A trial mounting is always recommended.
For further information please contact your
Titus Group representative.

Slidix Duo 50



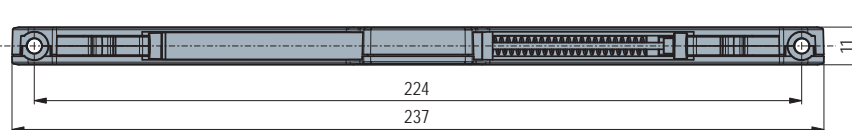
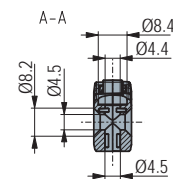
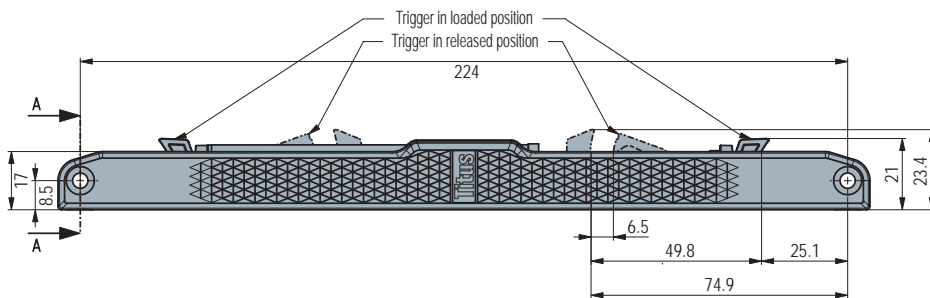
- Soft-closing in both directions: opening and closing
- Compact design for narrow doors
- Titus hydraulic damper ensures consistent performance
- For installation on the door



Slidix Duo 50

Technical details (mm)

Load capacity (kg)	Damping force at w=1000mm/min (N)	Spring force (N)	Item number
15	5	7.5	976-9361-380
25	7.5	10	976-9362-380
40	10	13	976-9363-380
60	15	13	976-9207-380
80	17.5	17	976-9213-380



100 Pcs

Made of plastic

Activators Activator TX26

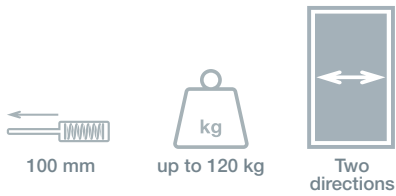
Activator SP14



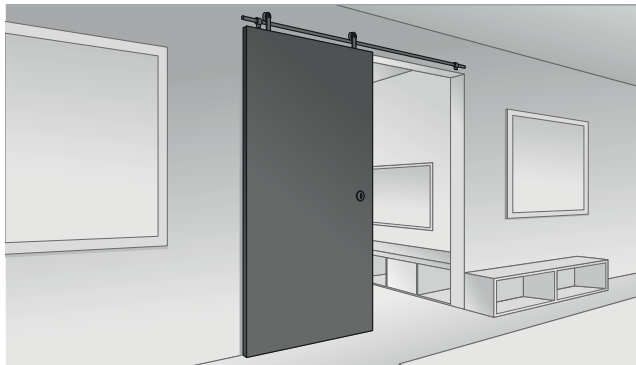
Slidix activators
> see page 1.30

A trial mounting is always recommended.
For further information please contact your
Titus Group representative.

Slidix Duo 100



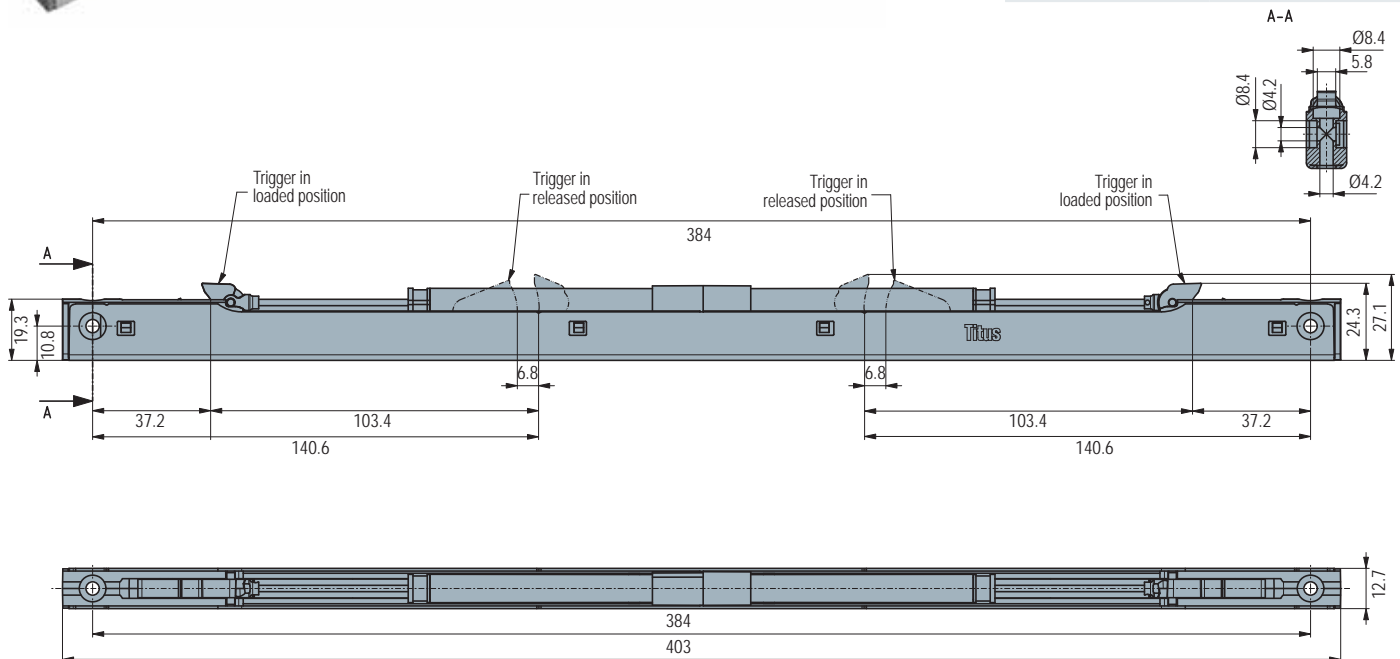
- Soft-closing in both directions: opening and closing
- Reinforced with a metal housing for secure performance
- Titus hydraulic damper ensures consistent performance
- For installation on the door



Slidix Duo 100

Technical details (mm)

Load capacity (kg)	Damping force at w=1000mm/min (N)	Spring force (N)	Item number
40	10	10	975-9373-040
60	15	13	975-9374-040
80	17.5	13	975-9375-040
100	20	17	975-9376-040
120	22.5	17	975-9377-040



100 Pcs

Made of plastic, cover made of steel

Activators Activator TX26 Activator SP14



Slidix activators
> see page 1.30

A trial mounting is always recommended.
For further information please contact your
Titus Group representative.

Solutions for Pocket Doors

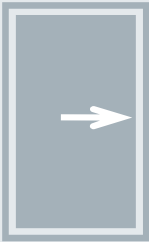
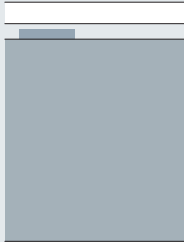
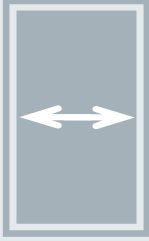
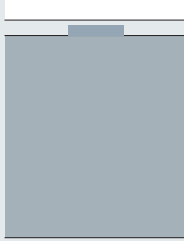
Product Guide

Pocket doors



Slide & hide

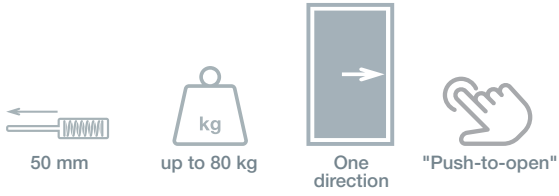


Damping direction and positioning		Function	Technical specification	
Direction	Position		Load capacity (kg)	Damping stroke (mm)
one direction 	on door 	damping	up to 80 kg	50 mm
		damping and push opening	up to 80 kg	50 mm
two directions 	on door 	damping	up to 80 kg	50 mm
			up to 120 kg	100 mm
		damping and push opening	up to 80 kg	50 mm

	Product name	Page
*Minimum space required per piece (in mm)	Required nr. of products per door	
	1 piece	Slidix Solo 50 1.17
	1 piece	PushDuo 1.13
	1 piece	Slidix Duo 50 1.15
	1 piece	Slidix Duo 100 1.16
	1 piece	PushTrio 1.14

*the indicated required space doesn't include space needed for carriages or other hardware

PushDuo



- Push-to-open and soft-closing in opening direction
- For fully retractable pocket sliding doors
- Compact design for mounting on carriages inside customer rails
- Door release with a slight push
- Titus hydraulic damper ensures consistent performance



Technical details (mm)

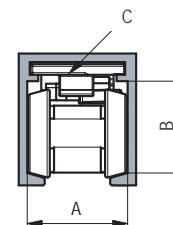
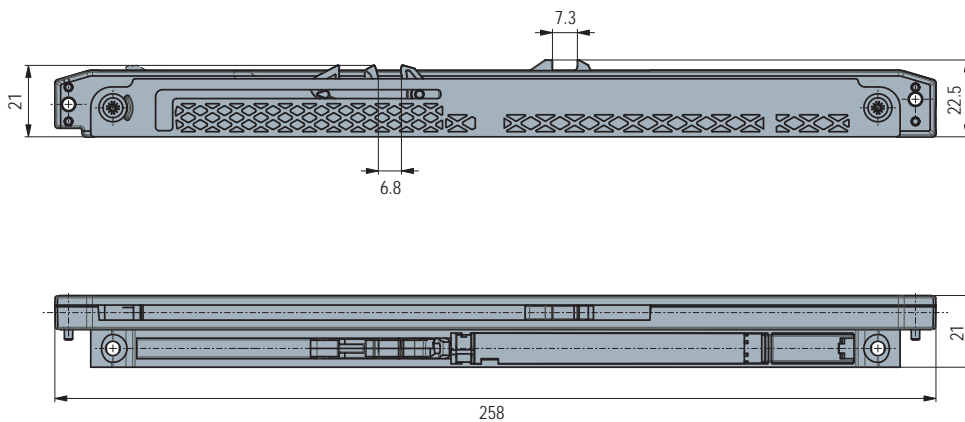
PushDuo



This product is custom made.
No standard item number available.

**Ready for fine-tuning
to customer needs**

- Door weight: up to 80kg
- Spring ejection force: customised
- Front and rear adapters: customised
- Activator: customised



- A) Rail width and wheel distance must be min. 21.5mm
- B) Rail height must be min. 21mm
- C) Additional space must be available to mount activator

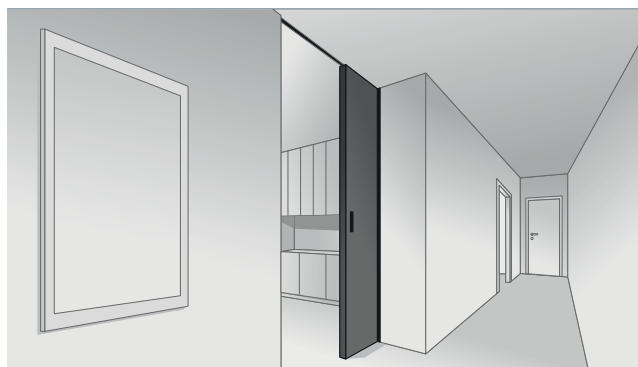
Made of plastic

*A trial mounting is always recommended.
For further information please contact your
Titus Group representative.*

PushTrio



- Push-to-open and soft-closing in both directions
- For fully retractable pocket sliding doors
- Compact design for mounting on carriages inside customer rails
- Door release with a slight push
- Titus hydraulic damper ensures consistent performance



Technical details (mm)

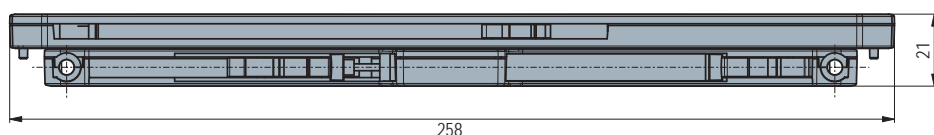
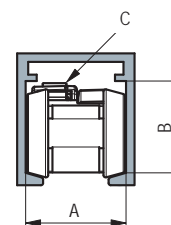
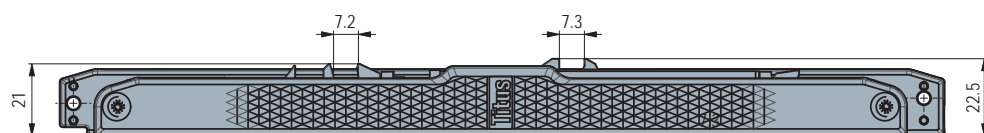
PushTrio



This product is custom made.
No standard item number available.

**Ready for fine-tuning
to customer needs**

- Door weight: up to 80kg
- Spring ejection force: customised
- Front and rear adapters: customised
- Activator: customised

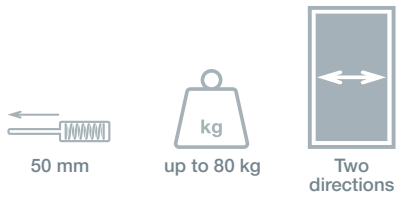


- A) Rail width and wheel distance must be min. 21.5mm
- B) Rail height must be min. 21mm
- C) Additional space must be available to mount activator

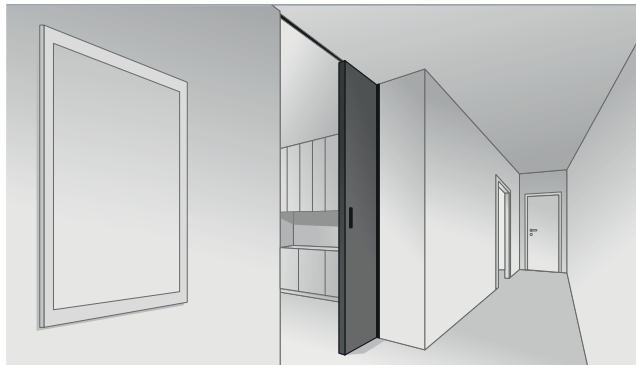
Made of plastic

*A trial mounting is always recommended.
For further information please contact your
Titus Group representative.*

Slidix Duo 50



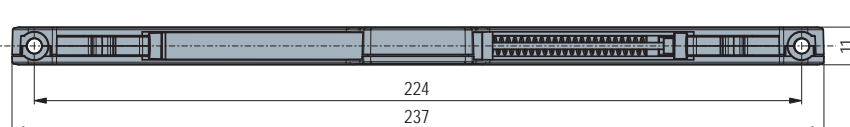
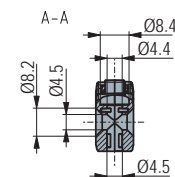
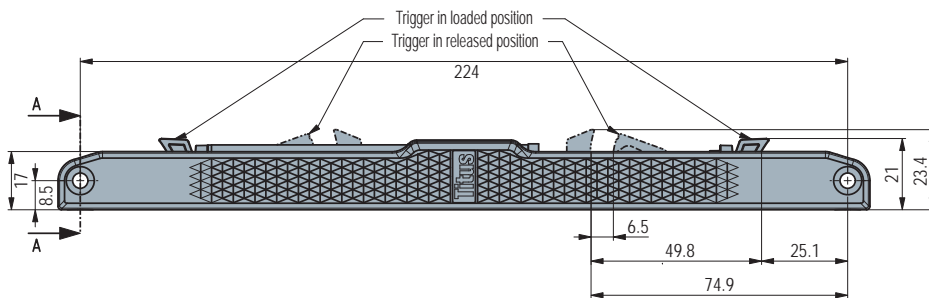
- Soft-closing in both directions: opening and closing
- Compact design for narrow doors
- Titus hydraulic damper ensures consistent performance
- For installation on the door



Technical details (mm)

Slidix Duo 50

Load capacity (kg)	Damping force at w=1000mm/min (N)	Spring force (N)	Item number
15	5	7.5	976-9361-380
25	7.5	10	976-9362-380
40	10	13	976-9363-380
60	15	13	976-9207-380
80	17.5	17	976-9213-380



100 Pcs

Made of plastic

Activators Activator TX26

Activator SP14



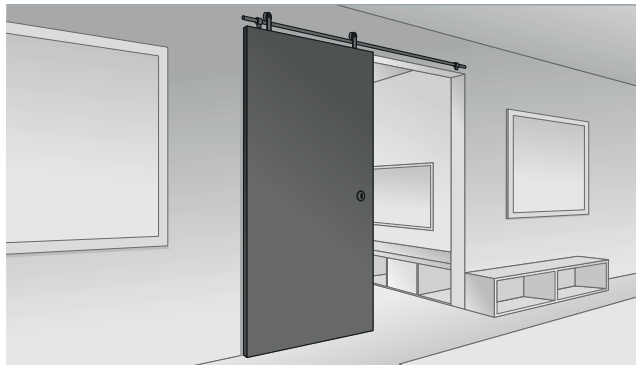
Slidix activators
> see page 1.30

A trial mounting is always recommended.
For further information please contact your
Titus Group representative.

Slidix Duo 100



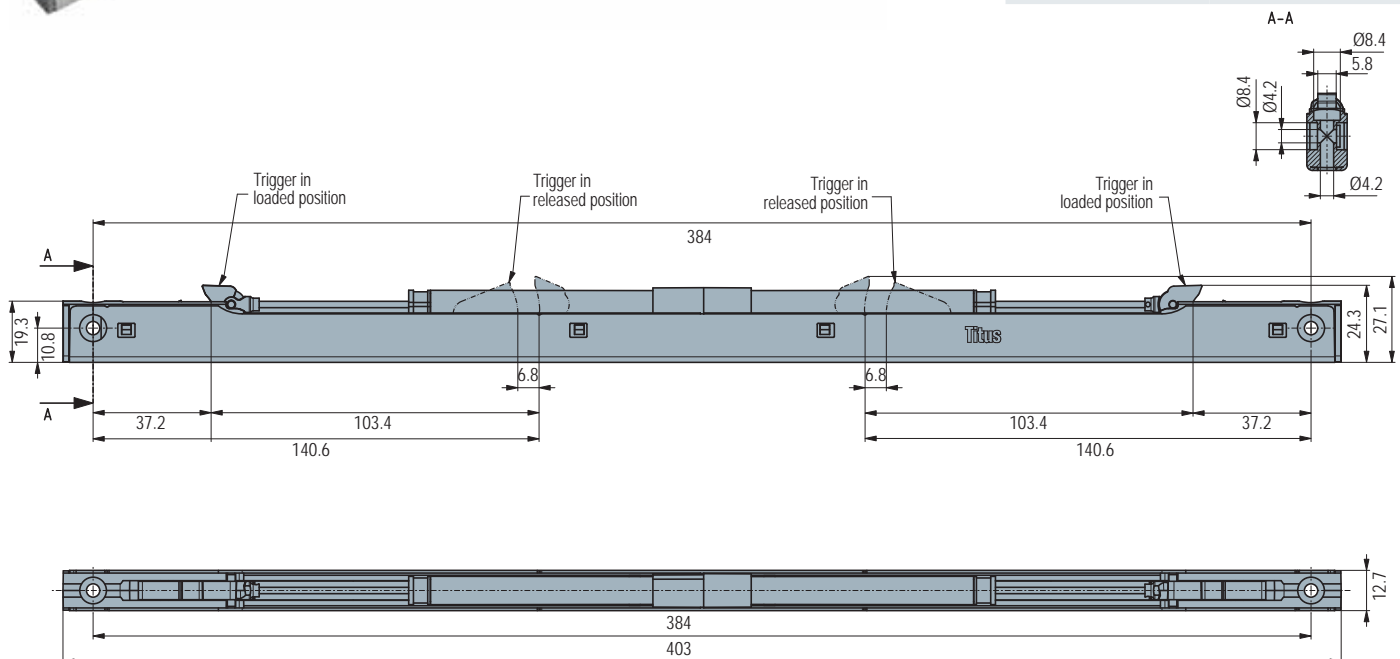
- Soft-closing in both directions: opening and closing
- Reinforced with a metal housing for secure performance
- Titus hydraulic damper ensures consistent performance
- For installation on the door



Slidix Duo 100

Technical details (mm)

Load capacity (kg)	Damping force at w=1000mm/min (N)	Spring force (N)	Item number
40	10	10	975-9373-040
60	15	13	975-9374-040
80	17.5	13	975-9375-040
100	20	17	975-9376-040
120	22.5	17	975-9377-040



100 Pcs

Made of plastic, cover made of steel

Activators Activator TX26 Activator SP14



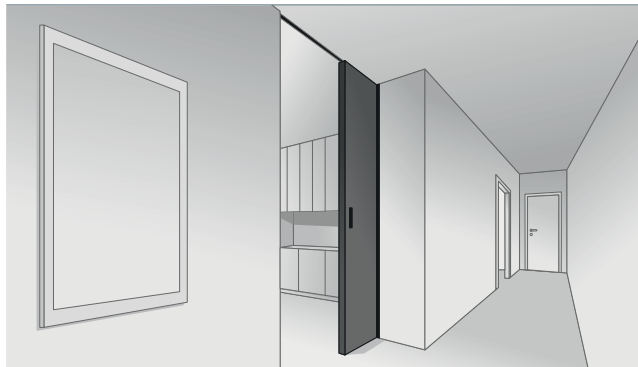
Slidix activators
> see page 1.30

A trial mounting is always recommended.
For further information please contact your
Titus Group representative.

Slidix Solo 50



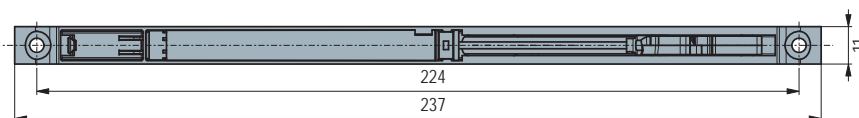
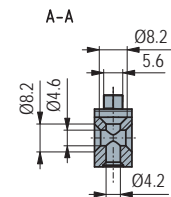
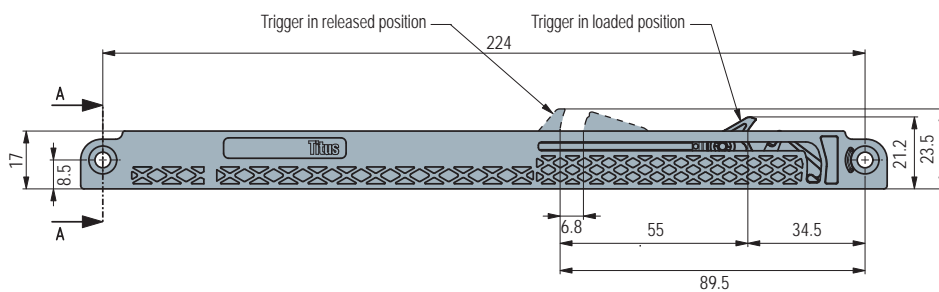
- Smooth and reliable soft-closing
- Titus hydraulic damper ensures consistent performance
- Compact design



Technical details (mm)

Load capacity (kg)	Damping force at w=1000mm/min (N)	Spring force (N)	Item number
15	4.2	7.5	975-9421-380
25	7.5	7.5	975-9457-380
40	10	10	975-9459-380
60	15	13	975-9461-380
80	17.5	13	975-9462-380

Slidix Solo 50



100 Pcs

Made of plastic

Activators Activator TX26

Activator SP14



Slidix activators
> see page 1.30

A trial mounting is always recommended.
For further information please contact your
Titus Group representative.

Solutions for Shower Doors

Product Guide

Shower doors

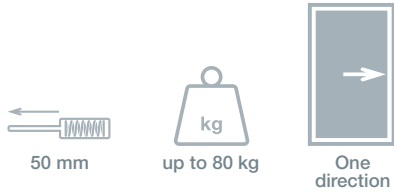


Damping direction and positioning		Function	Technical specification	
Direction	Position		Load capacity (kg)	Damping stroke (mm)
one direction 	in rail 	damping	up to 80 kg	50 mm
two directions 	on door 	damping	up to 80 kg	50 mm

	Product name	Page
*Minimum space required per piece (in mm)	Required nr. of products per door	
 <p>298 26.4 11</p>	1 piece	Slidix Solo 50R 1.21
 <p>237 23.4 11</p>	1 piece	Slidix Duo 50 1.22

*the indicated required space doesn't include space needed for carriages or other hardware

Slidix Solo 50R



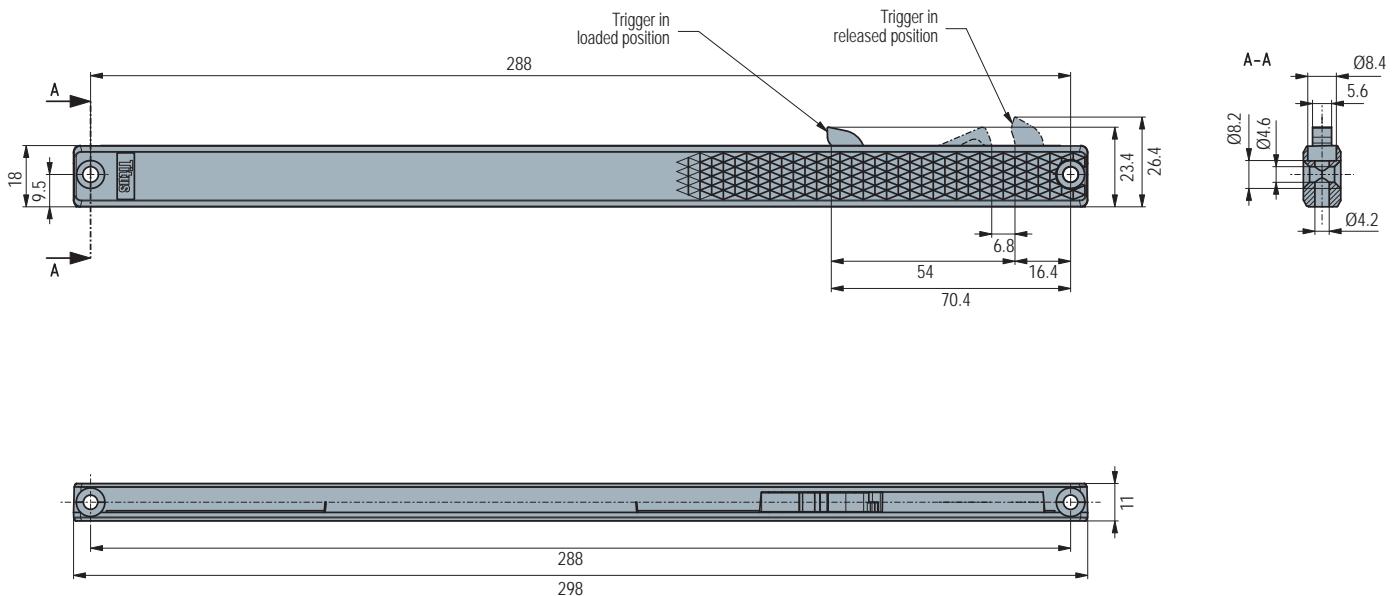
- Smooth and reliable soft-closing
- Titus hydraulic damper ensures consistent performance
- Reverse soft-closing direction for beneficial activator-positioning



Slidix Solo 50R

Technical details (mm)

Load capacity (kg)	Damping force at w=1000mm/min (N)	Spring force (N)	Item number
15	4.2	7.5	976-9287-380
25	7.5	7.5	976-9322-380
40	10	10	976-9327-380
60	15	13	976-9294-380
80	17.5	13	976-9298-380



100 Pcs Made of plastic

Activators Activator TX26 Activator SP14



Slidix activators
> see page 1.30

A trial mounting is always recommended.
For further information please contact your
Titus Group representative.

Slidix Duo 50



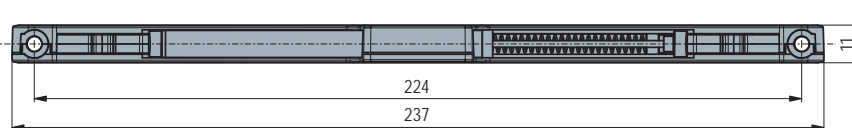
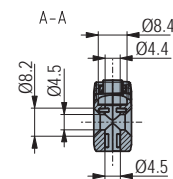
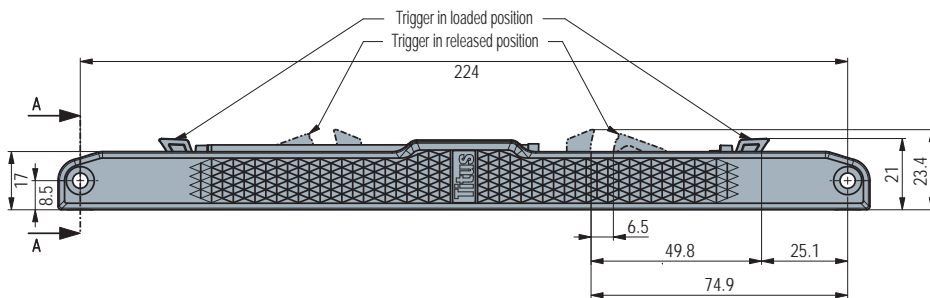
- Soft-closing in both directions: opening and closing
- Compact design for narrow doors
- Titus hydraulic damper ensures consistent performance
- For installation on the door



Slidix Duo 50

Technical details (mm)

Load capacity (kg)	Damping force at w=1000mm/min (N)	Spring force (N)	Item number
15	5	7.5	976-9361-380
25	7.5	10	976-9362-380
40	10	13	976-9363-380
60	15	13	976-9207-380
80	17.5	17	976-9213-380



100 Pcs

Made of plastic

Activators Activator TX26 Activator SP14



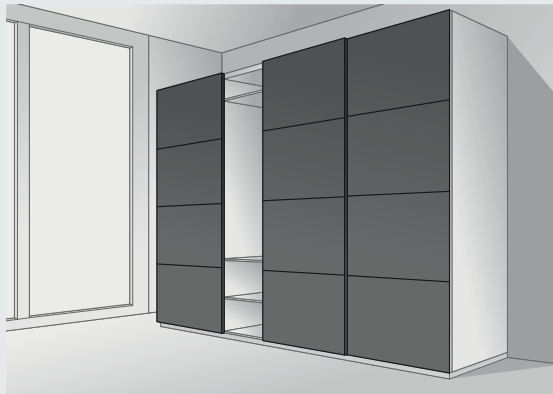
Slidix activators
> see page 1.30

A trial mounting is always recommended.
For further information please contact your
Titus Group representative.

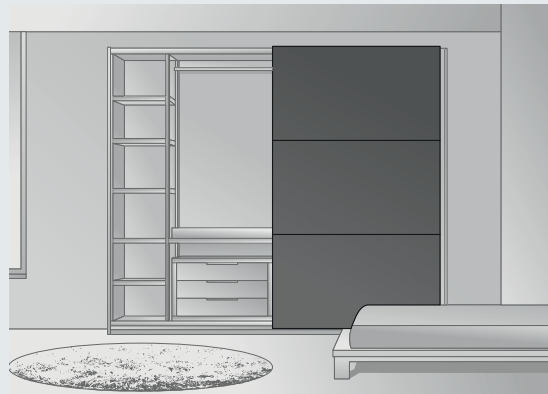
Solutions for Wardrobes

Product Guide

Middle door in 3-door wardrobes

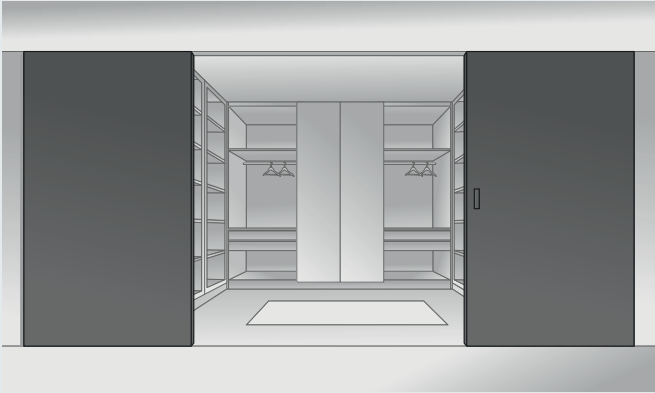


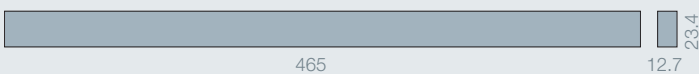

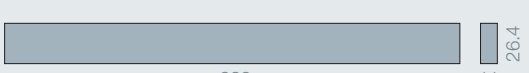
Side wardrobe doors



Damping direction and positioning			Function	Technical specification	
Direction	Position			Load capacity (kg)	Damping stroke (mm)
centering	in rail	on door	damping and centering	up to 40 kg	50 mm
one direction	in rail	on door	damping	up to 80 kg	50 mm
				up to 80 kg	50 mm

Walk-in closets



			Product name	Page	
*Minimum space required per piece (in mm)		Required nr. of products per door			
	465	12.7	1 piece	Slidix Centro 50	1.25
	237	11	1 piece	Slidix Solo 50	1.26
	298	11	1 piece	Slidix Solo 50R	1.27

*the indicated required space doesn't include space needed for carriages or other hardware

Slidix Solo 50



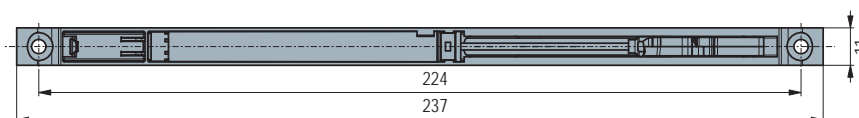
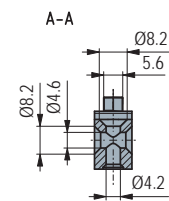
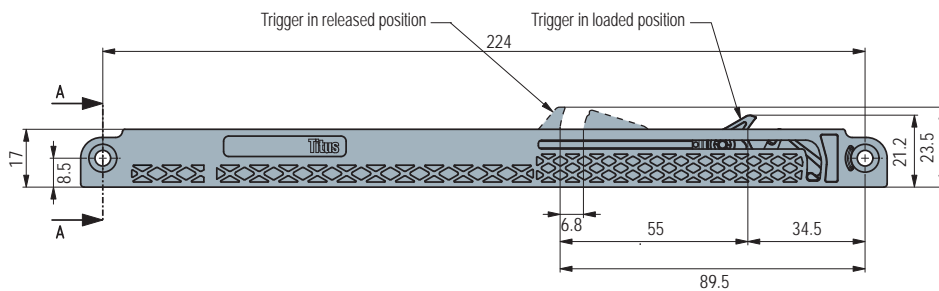
- Smooth and reliable soft-closing
- Titus hydraulic damper ensures consistent performance
- Compact design



Slidix Solo 50

Technical details (mm)

Load capacity (kg)	Damping force at w=1000mm/min (N)	Spring force (N)	Item number
15	4.2	7.5	975-9421-380
25	7.5	7.5	975-9457-380
40	10	10	975-9459-380
60	15	13	975-9461-380
80	17.5	13	975-9462-380



100 Pcs

Made of plastic

Activators Activator TX26 Activator SP14




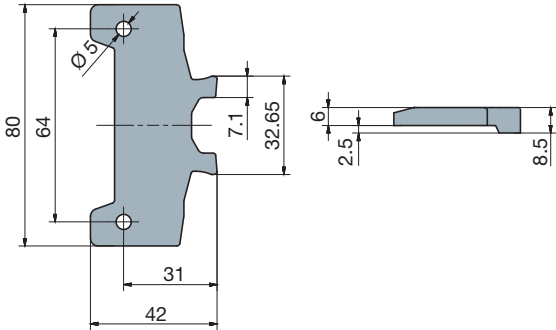

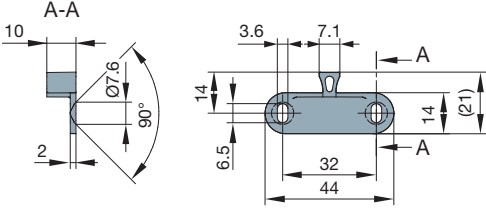

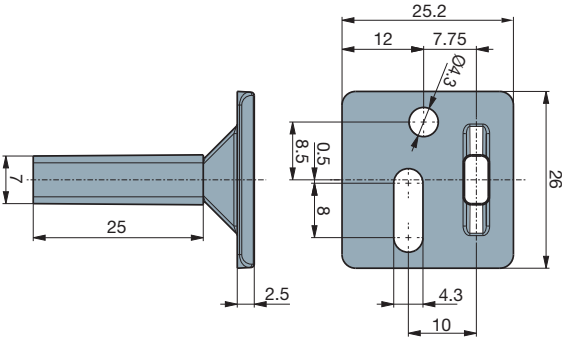
Slidix activators
> see page 1.30

A trial mounting is always recommended.
For further information please contact your
Titus Group representative.

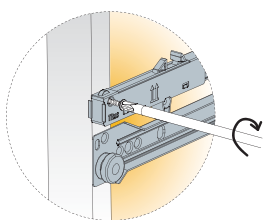
Slidix Activators

For Slidix mechanisms

- Each Slidix unit is compatible with multiple activators, depending on the available space within the application

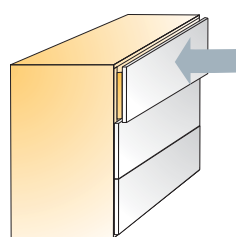
Technical details		Item number	Grey	Zinc
Activator TSC Plus   <p>100 Pcs Made of plastic</p>	For Slidix Centro only	974-4752 →	380	
Activator SP14   <p>100 Pcs Made of plastic</p>		974-4748 →	380	
Activator TX26   <p>100 Pcs Made of zinc</p>		974-0180 →		600

Titusoft Drawer Damping



Simple and intuitive mounting

- No pre-drilling required
- Non-handed
- User friendly



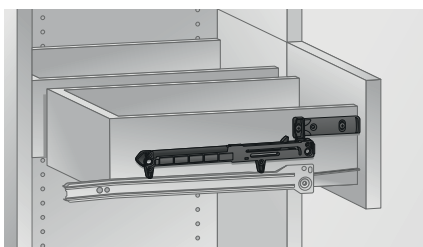
Smooth and reliable

- Silent in use
- Effortless opening with low pull-out force



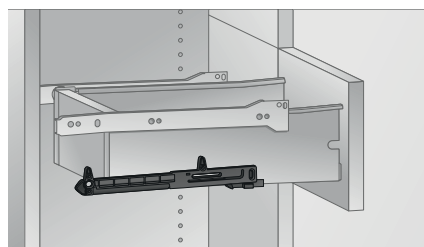
Titus damper inside

- Efficient damping on various door sizes and weights
- ConfidentClose assured



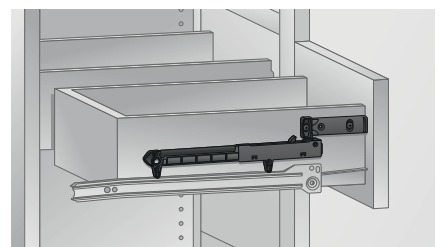
Titusoft WD

For wooden drawers with roller runners



Titusoft MD

For single wall metal drawers



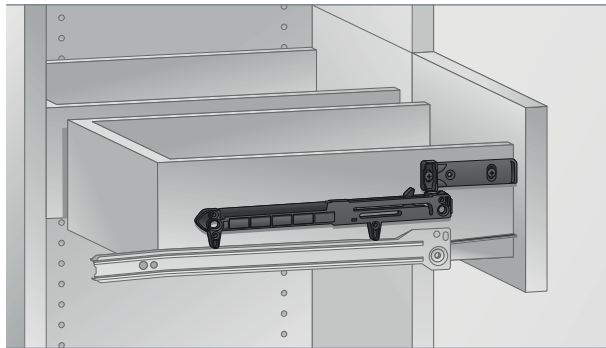
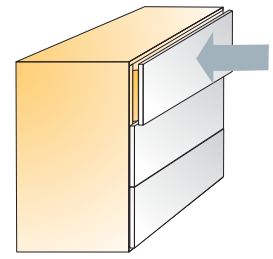
Titusoft FF

For wooden drawers with roller runners – for Face Frame application

Titusoft WD

Soft Closing System for Wooden Drawer

For wooden drawer with roller runners



Technical details

Titusoft WD

Titusoft mechanism

Item number

973-0X35 >

Grey

380

White

Activator

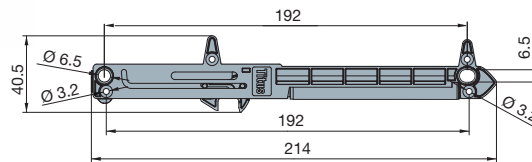
973-4451 >

380

350



Titusoft mechanism



Bag of 1

973-0X35-380-K2  120 Bags

- 1 Titusoft mechanism
- 1 activator
- 2 screws Ø3.5mm x 20mm
- 2 screws Ø3.5mm x 12mm
- 1 mounting instruction sheet

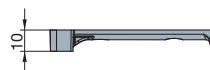
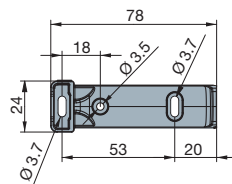
Bag of 2

973-0X35-380-K1  80 Bags

- 2 Titusoft mechanisms
- 2 activators
- 4 screws Ø3.5mm x 20mm
- 4 screws Ø3.5mm x 12mm
- 1 mounting instruction sheet



Activator



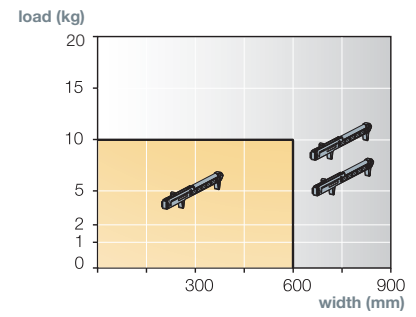
250 Pcs

200 Pcs (973-0X35 + activator)

Made of plastic

- Works with most roller runner drawer slides
- Easy, intuitive mounting
- Smooth, soft closing action independent of drawer hardware
- Optimal closing speed
- Non-handed design

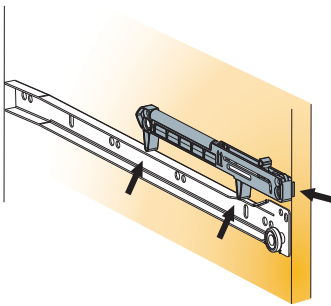
Capacity chart



Mount 1 or 2 Titusoft mechanisms depending on drawer weight and width

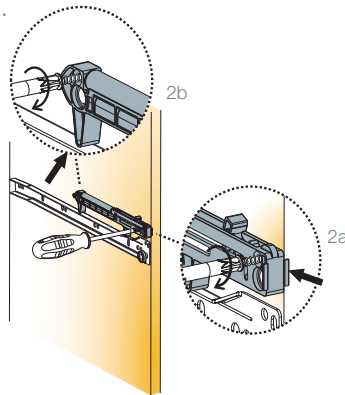
Mounting details

1.



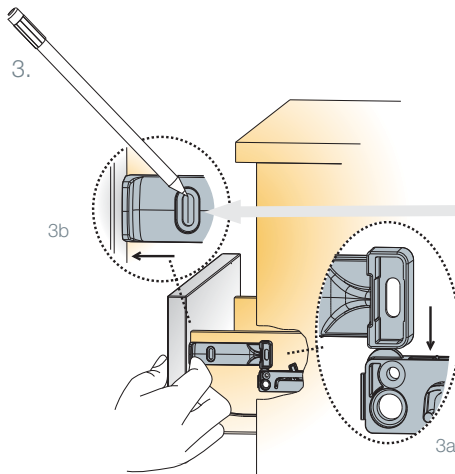
Position the Titusoft mechanism on the top of the drawer slide

2.



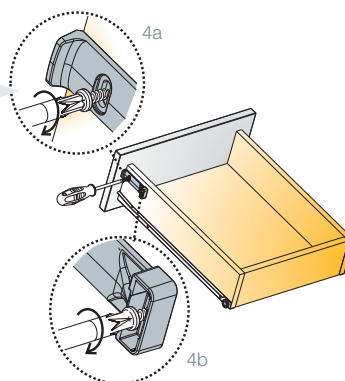
Fix with 2 screws L=20mm

3.



1. Rest the activator against the drawer front
2. Align the vertical position of the activator with the top of the Titusoft mechanism and mark the screw locations

4.



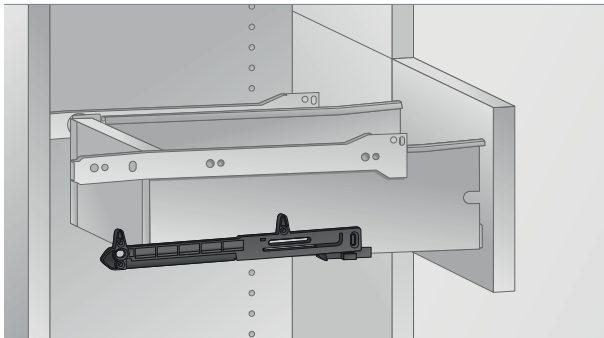
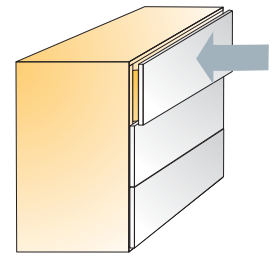
Fix with 2 screws L=12mm

A trial mounting is always recommended. Please contact Titus Group or your local distributor for further technical assistance.

Titusoft MD

Soft Closing System for Metal Box

For metal boxes



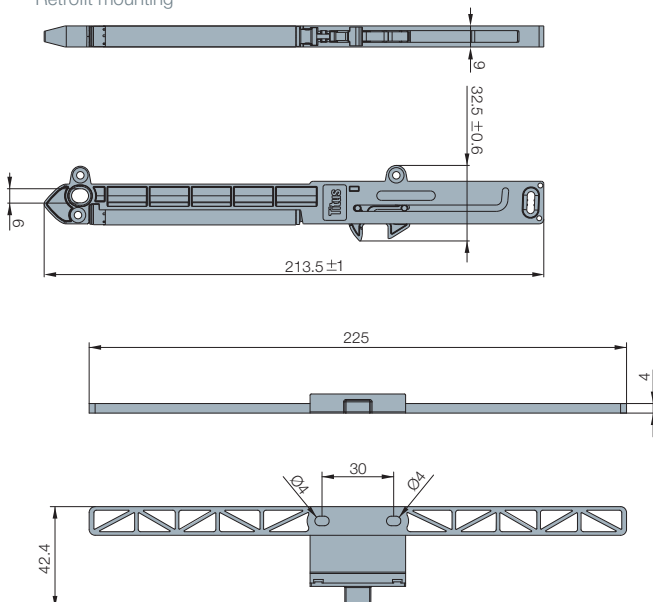
Titusoft MD



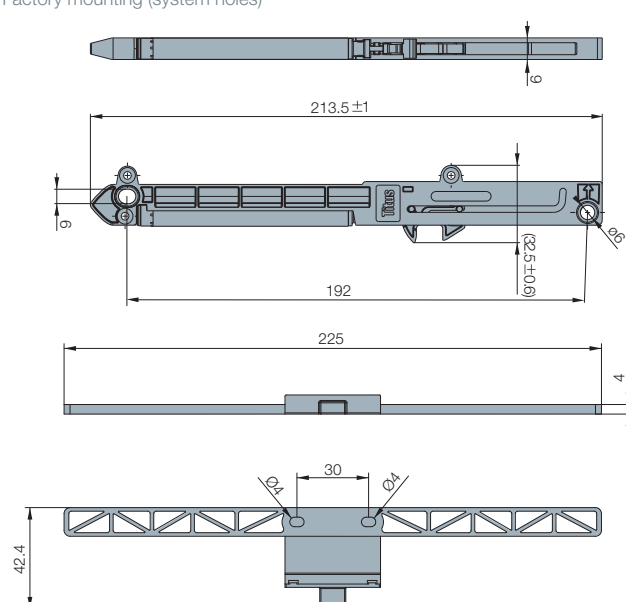
250 Pcs
150 Pcs (973-0X39 + activator) Made of plastic

Technical details

Retrofit mounting



Factory mounting (system holes)



Item number

	Grey	White	Light blue
Titusoft mechanism for factory mounting	973-0X95 >	380	
Titusoft mechanism for retrofit mounting	973-0X39 >	380	309
Activator	973-4125 >	350	
Mounting jig	973-4126 >		

Bag of 1

973-0X39-380-K2 90 Bags

- 1 Titusoft mechanism
- 1 activator
- 1 mounting jig
- 4 screws
- 1 mounting instruction sheet

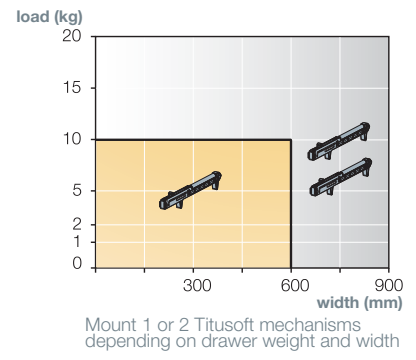
Bag of 2

973-0X39-380-K1 60 Bags

- 2 Titusoft mechanisms
- 2 activators
- 1 mounting jig
- 8 screws
- 1 mounting instruction sheet

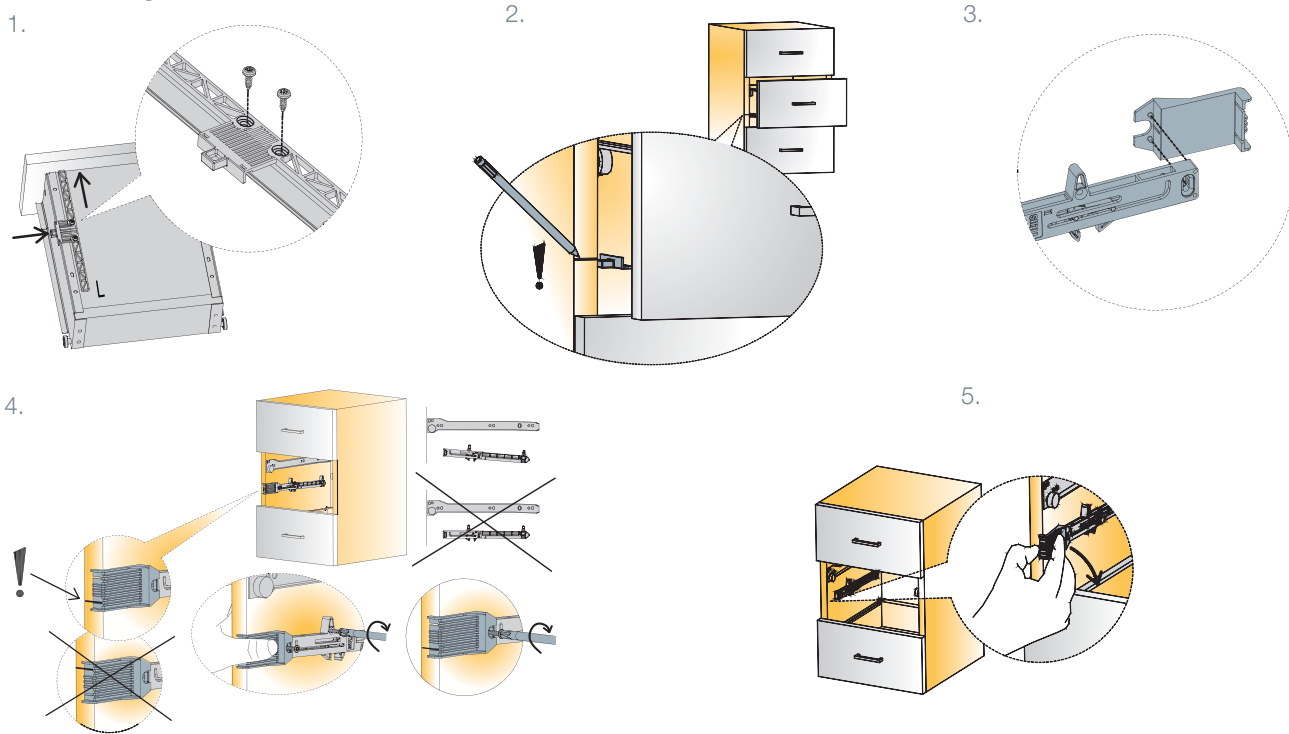
- One-for-all soft closing for single skin metal boxes
- Allows for easy factory mounting or retrofit application
- Intuitive positioning
- Preserve the life-time of the drawer

Capacity chart

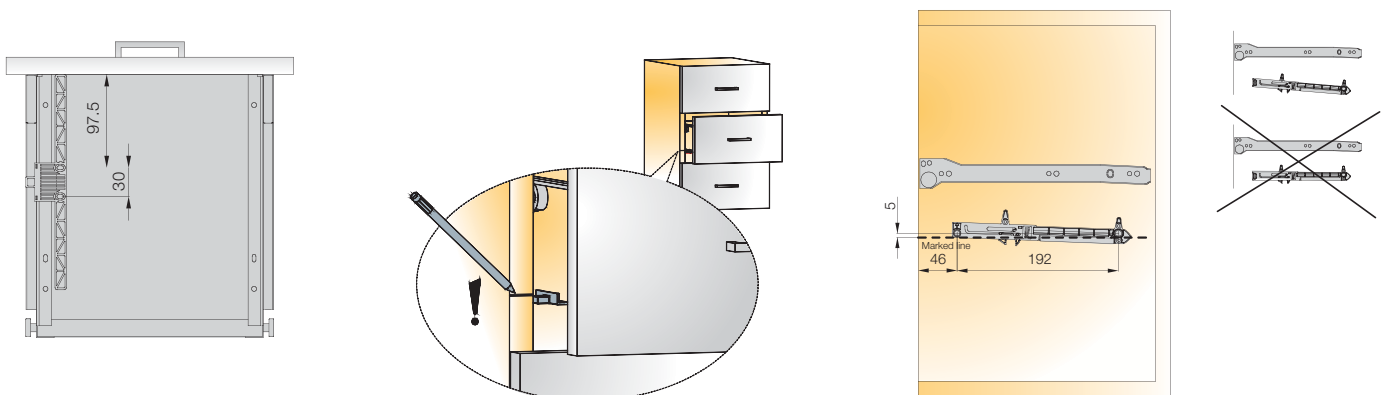


Mounting details

Retrofit mounting



Factory mounting

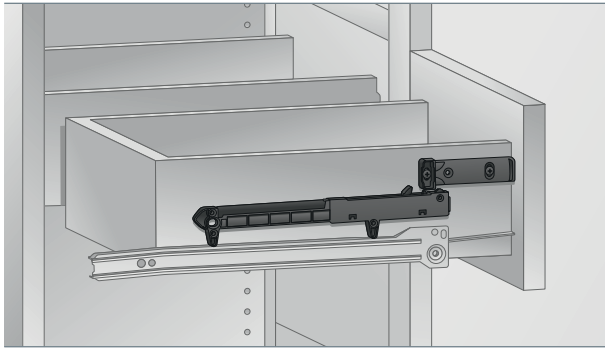
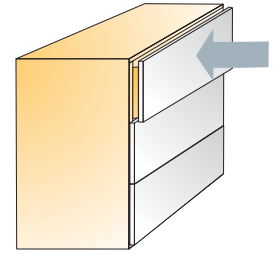


A trial mounting is always recommended. Please contact Titus Group or your local distributor for further technical assistance.

Titusoft FF

Soft Closing System for Face Frame Cabinets with Wooden Drawer

For wooden drawer
with roller runners



Technical details

Titusoft FF

Titusoft
mechanism

Item number

973-0M99 >

Grey

380

White

350

Activator

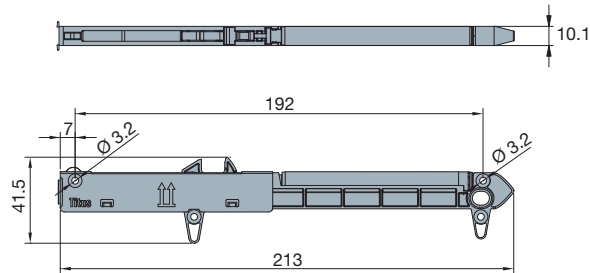
973-4451 >

380

350



Titusoft mechanism



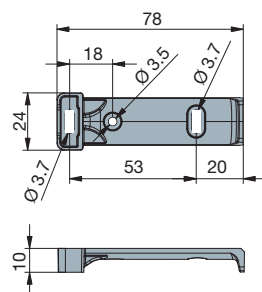
Bag of 1

973-0M99-380-K1  300 Bags

- 1 Titusoft mechanism
- 1 activator grey
- 2 screws Ø3.5mm x 25mm
- 2 screws Ø3.5mm x 12mm
- 1 mounting instruction sheet



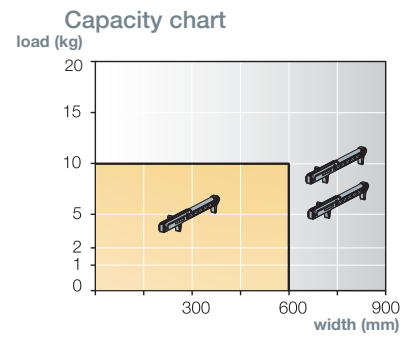
Activator



 250 Pcs

Made of plastic

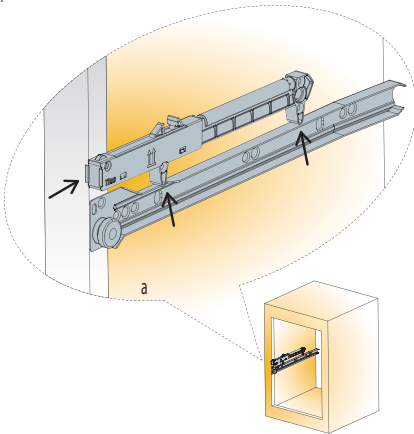
- Works with most roller runner drawer slides
- Easy, intuitive mounting
- Smooth, soft closing action independent of drawer hardware
- Non-handed design



Mount 1 or 2 Titusoft mechanisms depending on drawer weight and width

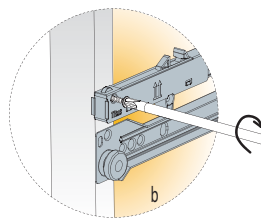
Mounting details

1.



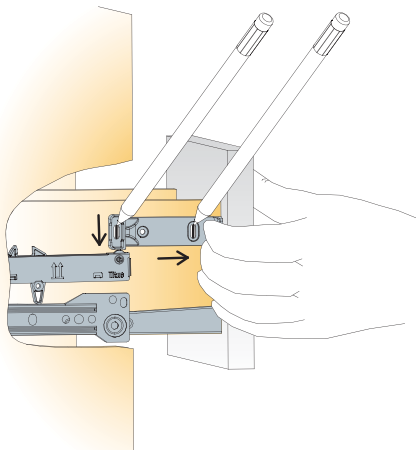
Position the Titusoft on the top of a drawer slide

2.



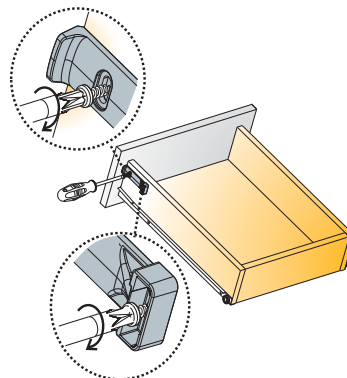
Screw the Titusoft mechanism to the face frame

3.



Align the activator with the top of the Titusoft mechanism and fix with two screws

4.



Fix with 2 (3) screws L=12mm

A trial mounting is always recommended. Please contact Titus Group or your local distributor for further technical assistance.

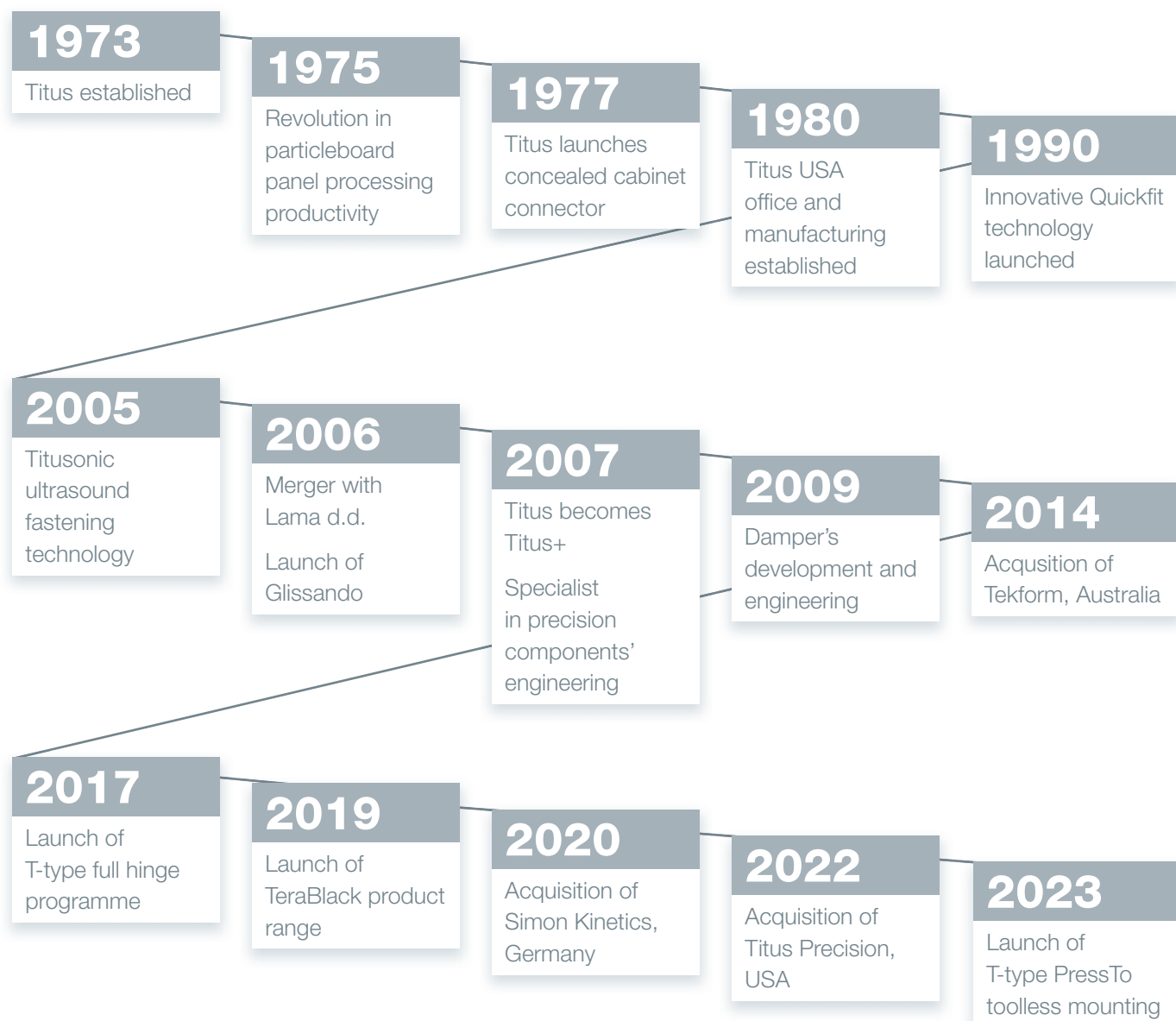
The Titus Group Profile

Titus Group

Titus focuses on the design, manufacturing and distribution of connectors, concealed hinges drawers and soft closing mechanisms in furniture and household appliances.

Titus Group is owned and managed from its headquarters in United Kingdom. We are able to provide products and services to every customer around the world based on manufacturing and distribution facilities in Europe, North America, China, SE Asia, Australia and New Zealand.

Quickfit technology makes Titus the World leader in connectors for RTA furniture



Vision

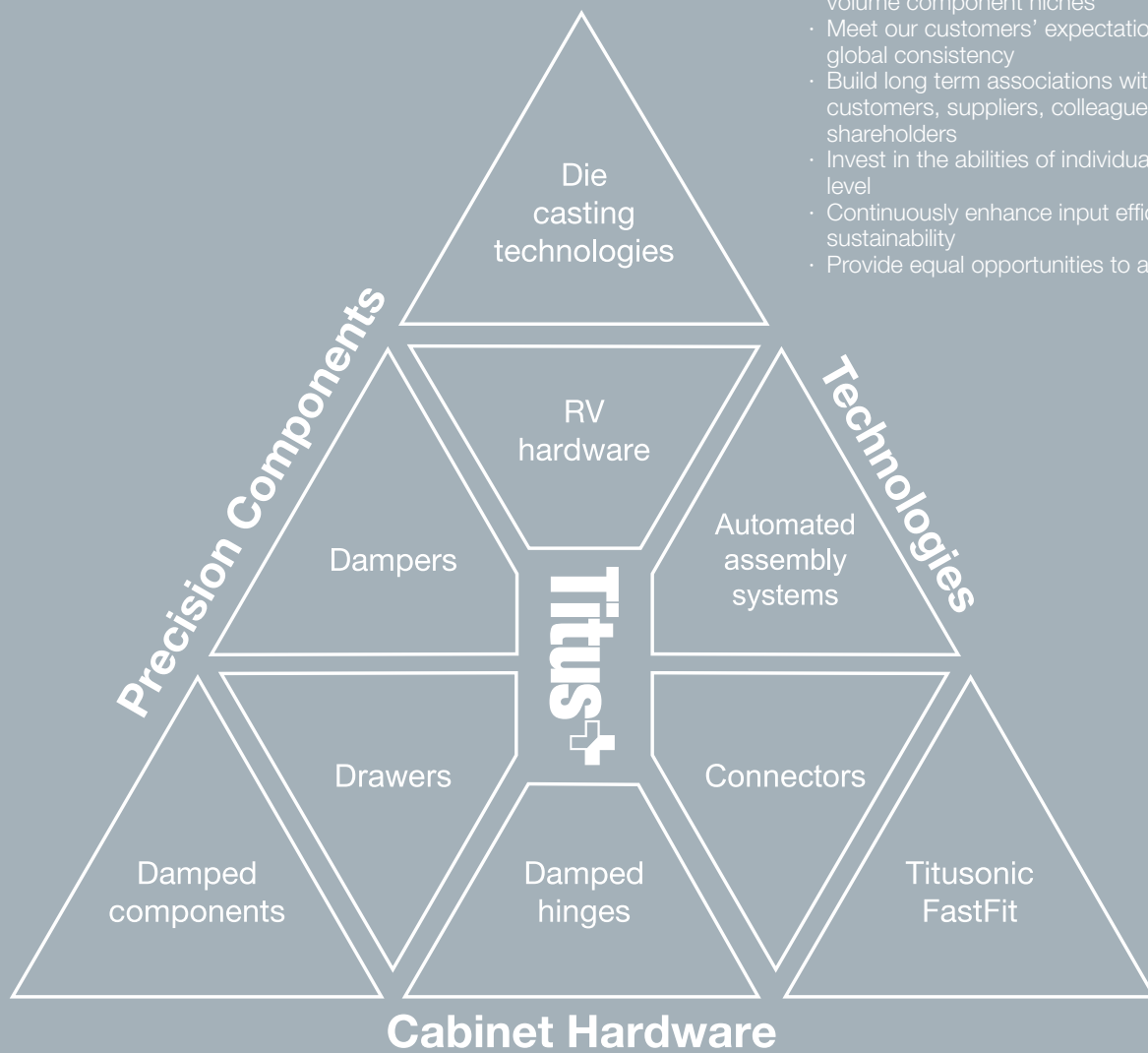
To be the world's best in engineering for precision components

Mission

To provide manufacturers with component solutions that improve their competitiveness

Titus Business Principles

- Gain total knowledge of our customers and their markets
- Focus on identifying and creating high volume component niches
- Meet our customers' expectations with global consistency
- Build long term associations with customers, suppliers, colleagues and shareholders
- Invest in the abilities of individuals at every level
- Continuously enhance input efficiency and sustainability
- Provide equal opportunities to all



Cabinet Hardware

- Cabinet connectors
- Concealed hinges
- Damping mechanisms
- Kitchen drawers and accessories
- RV hardware

Damping and Kinetics

Hydraulic dampers and Slidix mechanisms for custom applications in home equipment

Titus Technologies

- Automated assembly systems
- Die casting technologies
- Titusonic - Ultrasound fastening
- FastFit insertion technology

'Totally Integrated Engineering'

Product Design

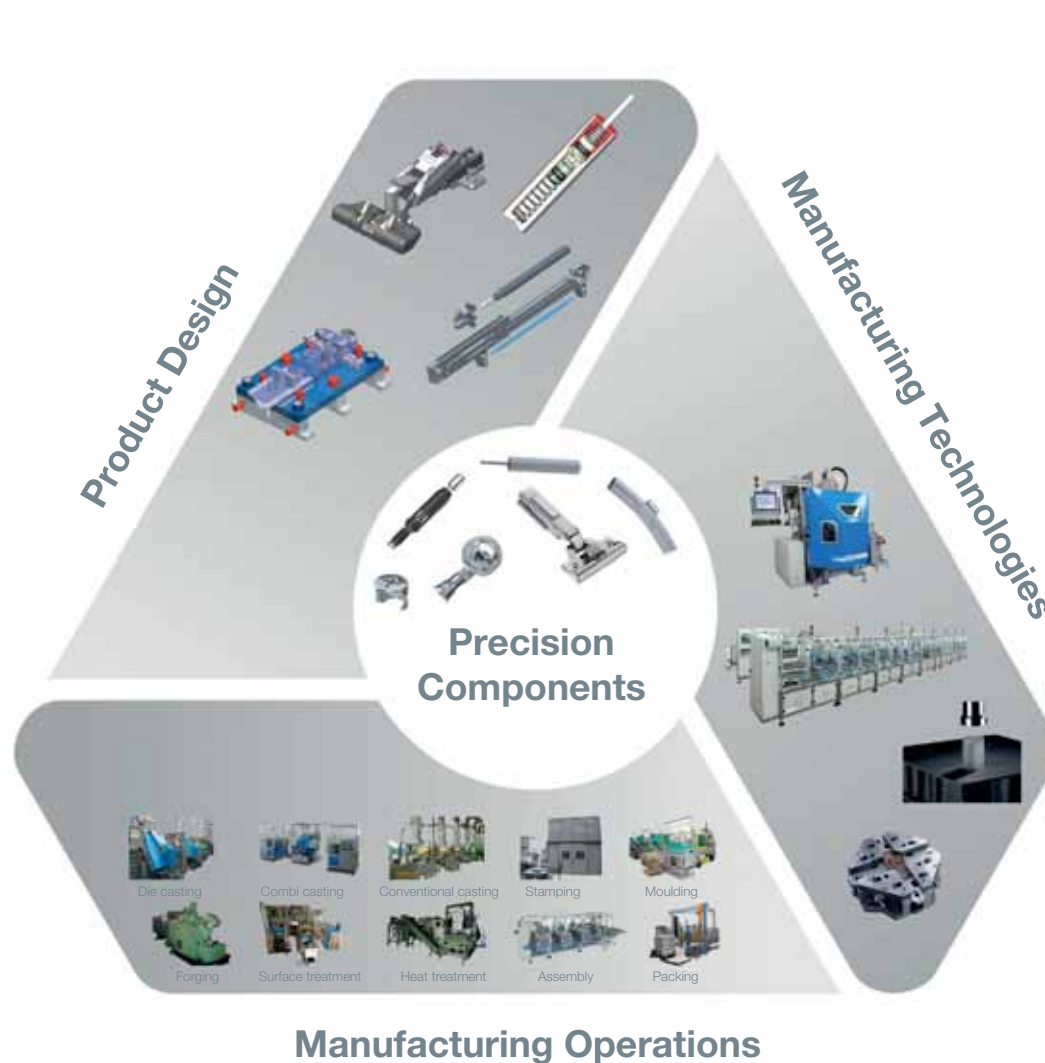
Design and engineering of unique components
Consistent and repeatable product quality

Manufacturing Technologies

To improve productivity and product quality

Manufacturing Operations

A wide array of technologies and services required for high volume production of precision components available in-house



Fittings for purpose

Unique product advantages for better value for money and lower 'total installed cost'

Innovations that improve

With less parts, less different parts, less preparation actions, faster assembly

Fast time-to-market

Quality

Continuous Improvement

The Titus Group Mission, to improve the competitiveness of our customers, encourages us to continuously improve our products, services, processes and competencies of our employees.

Quality

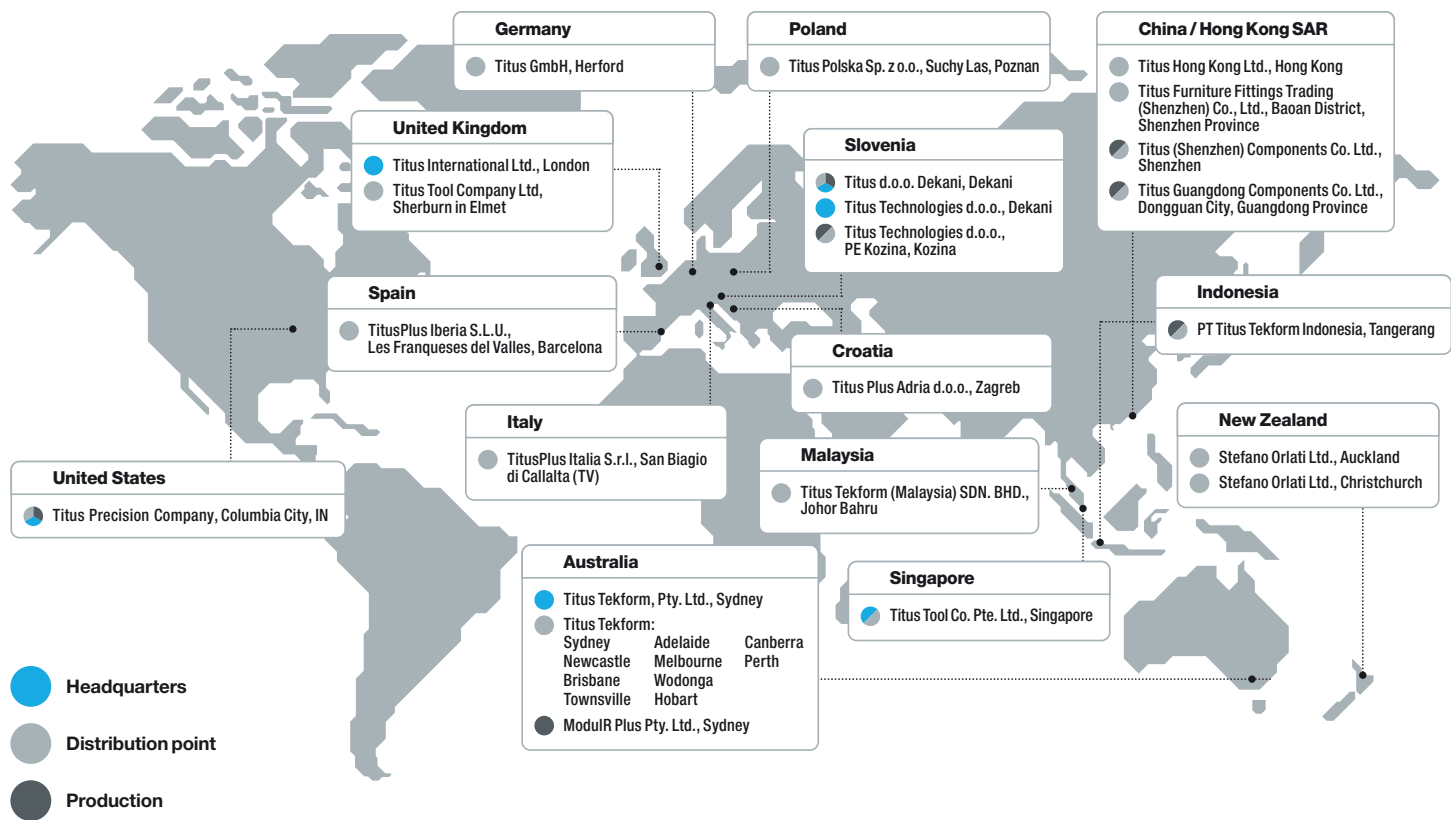
We believe that the Titus Mission is achieved most effectively through the management of our product design, manufacturing and service activities in conformance with the ISO 9001 standard for quality management. Quality has a broad meaning for us: it is our guide to the selection of materials, work, processes, internal relations and cooperation with partners.

Products

Our integrated quality system produces technically optimised products of high quality. They are assessed regularly in our own test labs as well as by internationally renowned institutions, such as LGA from Germany, FIRA from United Kingdom, CATAS from Italy, and others.



Worldwide Design, Manufacturing and Distribution Capabilities



www.titusplus.com

Your authorized dealer